

KEY FEATURES

- 100G-CLR4
- Typical power of < 3.5W
- 2km reach via single mode fiber
- CWDM wavelengths 1310nm range
- SMF LC duplex connector
- 0-70°C transceiver operating case temperature
- Hot pluggable

XQX4200 100G-CLR4 QSFP28

2 km Reach Optimized for Data Center

Leveraging its novel hybrid integration technology, **Kaiam** is able to design and produce high-speed optical modules for high bandwidth applications such as router and data center interconnect. All of **Kaiam's** products allow for superior performance at 40Gb/s and beyond with duplex single mode fiber.

The pluggable **QSFP28 100G-CLR4** transceiver is the latest addition to **Kaiam's** product portfolio supporting diverse data rates with reach up to 10km.

The target applications for this transceiver are 100G-CLR4, high-port-count 100G systems, and client-side 100G interfaces.



OPTICAL TRANSMITTER PERFORMANCE

PARAMETER		SYMBOL	MIN	MAX	UNITS
Channel Wavelength	Ch0	λ_0	1264.5	1277.5	nm
	Ch1	λ_1	1284.5	1297.5	
	Ch2	λ_2	1304.5	1317.5	
	Ch3	λ_3	1324.5	1337.5	
Bit Rate per Channel		B	25.78125±100ppm		Gb/s
Side-Mode Suppression Ratio		SMSR	30		dB
Average launch power, each lane			-6.5	2.5	dBm
Optical Modulation Amplitude (each lane)		OMA	-4.0	2.5	dBm
Launch power in OMA minus TDP, each lane		OMA-TDP	-5.0		dBm
Transmission & dispersion penalty		TDP		3.3	dB
RIN _{20 OMA}				-130	dB/Hz
Transmitter Reflectance				-20	dB
Extinction Ratio		ER	3.5		dB
Transmitter Optical Mask		MM	Compliant with 100G-CLR4		

OPTICAL RECEIVER PERFORMANCE

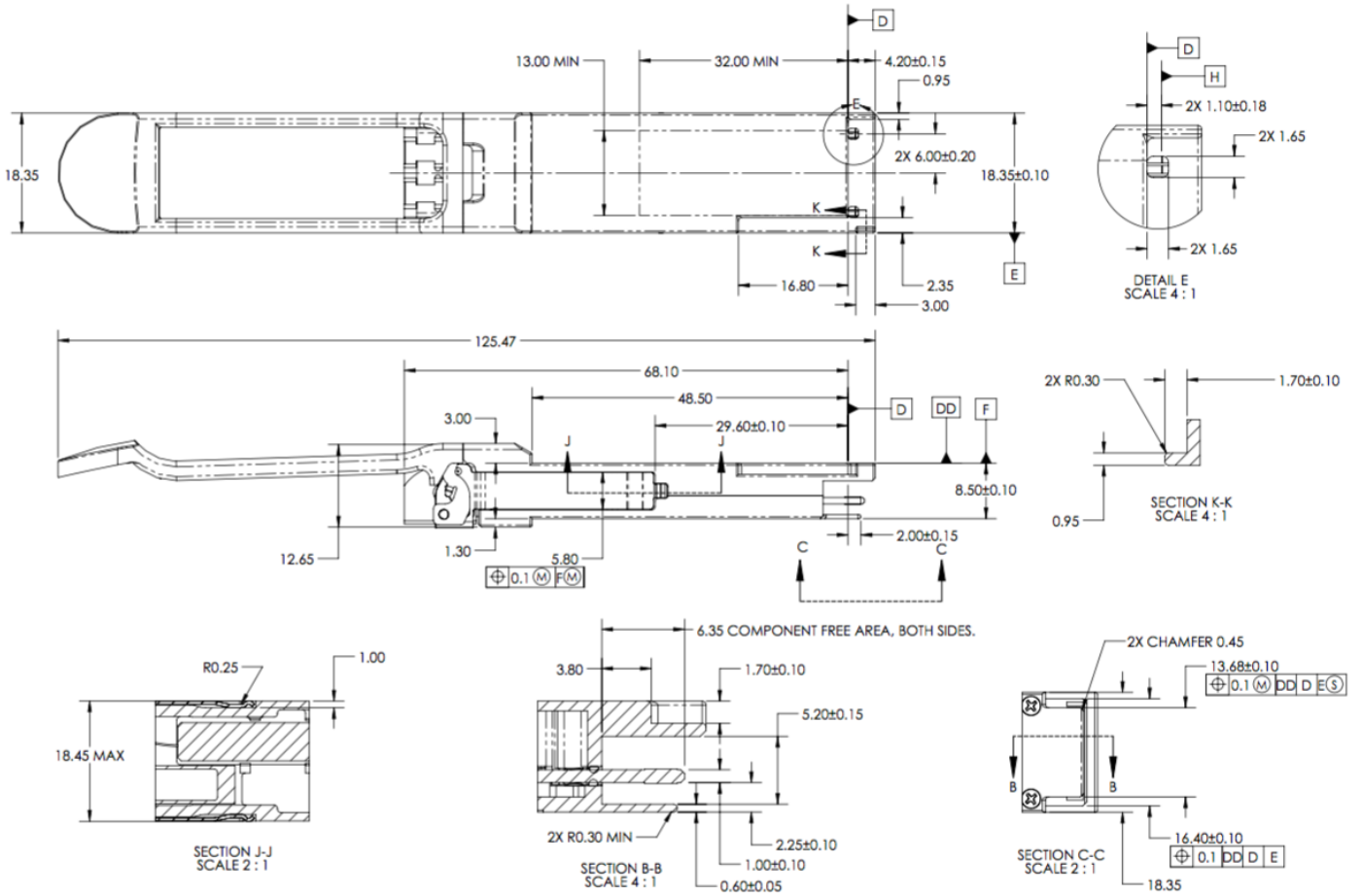
PARAMETER		SYMBOL	MIN	TYP	MAX	UNITS
Channel Wavelength	Ch0	λ_0	1264.5	1271	1277.5	nm
	Ch1	λ_1	1284.5	1291	1297.5	
	Ch2	λ_2	1304.5	1311	1317.5	
	Ch3	λ_3	1324.5	1331	1337.5	
Damage Threshold			3.3			dBm
Average Receive Power, each lane					2.3	dBm
Receiver Sensitivity (OMA) per Channel, no-FEC case		OMA_{in}			-8.1	dBm
Receiver Sensitivity (OMA) per Channel, with-FEC case		OMA_{in}			-10.9	dBm
Stressed Sensitivity (OMA) per Channel, no-FEC case		$OMA_{in, str}$			-5.6	dBm
Stressed Sensitivity (OMA) per Channel, with-FEC case		$OMA_{in, str}$			-8.5	dBm
Difference in Receive Power between any two lanes (OMA)					5.5	dB
Receiver Saturation, per Channel			3.5			dBm
Receiver Reflectance, per Channel		ORL			-26	dB

OPERATING CONDITIONS

PARAMETER	MIN	TYP	MAX	UNITS	NOTES
Operating Case Temperature	0		70	°C	
Storage Temperature	-40		85	°C	
Relative Humidity	5		85	%	
Supply Voltage	3.135	3.3	3.465	V	+/- 5%

QSFP28 MODULE MECHANICAL OUTLINE

(all dimensions in mm)



©2015 KAIAM Corporation. KAIAM and the KAIAM logo are trademarks of KAIAM Corporation. Information and specifications are subject to change without notice. For more information please visit www.kaiam.com or call +1 510 226-8100.